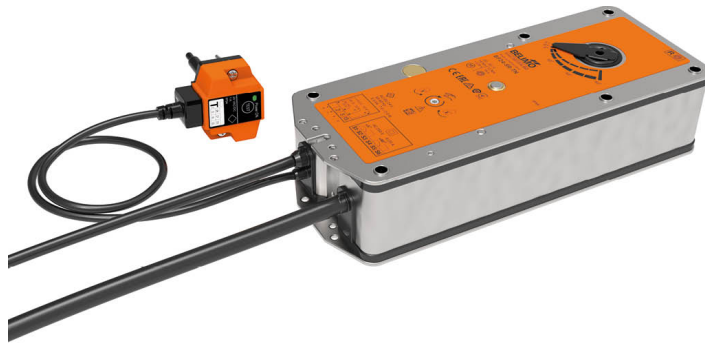


Spring-return actuator, combined with thermoelectric tripping device BAT (72°C), for fire and smoke dampers 90° in ventilation and air-conditioning systems.

- Torque 18 Nm / 12 Nm
- Nominal voltage AC/DC 24 V
- Control modulating
- Mechanical interface Form fit 12x12 mm, non-continuous hollow shaft



Technical data

<b>Electrical data</b>	Nominal voltage	AC/DC 24 V
	Nominal voltage frequency	50/60 Hz
	Nominal voltage range	AC 19.2...28.8 V / DC 21.6...28.8 V
	Power consumption in operation	7 W
	Power consumption in rest position	2 W
	Power consumption for wire sizing	9.5 VA
	Power consumption for wire sizing note	Imax 8.3 A @ 5 ms
	Auxiliary switch	2 x SPDT
	Switching capacity auxiliary switch	1 mA...6 A (3 A inductive), DC 5 V...AC 250 V (II, reinforced insulation)
	Switching points auxiliary switch	5° / 80°
	Connection supply / control	Cable 1 m, 4 x 0.75 mm <sup>2</sup> (halogen-free)
	Connection auxiliary switch	Cable 1 m, 6 x 0.75 mm <sup>2</sup> (halogen-free)
	Cable length thermoelectric tripping device	1 m
	<b>Functional data</b>	Torque motor
Torque fail-safe		12 Nm
Operating range Y		2...10 V
Input Impedance		100 kΩ
Position feedback U		2...10 V
Position feedback U note		Max. 0.5 mA
Position accuracy		±5%
Direction of motion motor		selectable by mounting L/R
Manual override		with position stop
Angle of rotation		Max. 95°
Running time motor		<120 s / 90°
Running time fail-safe		16 s @ 20°C
Sound power level, motor		45 dB(A)
Sound power level, fail-safe		63 dB(A)
Mechanical interface		Form fit 12x12 mm, non-continuous hollow shaft
Position indication		Mechanically, with pointer
Service life	Min. 60'000 safety positions	
<b>Safety data</b>	Response temperature thermal fuse	Duct outside temperature 72°C Duct inside temperature 72°C (colour black)
	Protection class IEC/EN	III, Safety Extra-Low Voltage (SELV)
	Protection class auxiliary switch IEC/EN	II, reinforced insulation
	Degree of protection IEC/EN	IP54 IP protection in all mounting positions
	EMC	CE according to 2014/30/EU
	Low voltage directive	CE according to 2014/35/EU
	Certification IEC/EN	IEC/EN 60730-1 and IEC/EN 60730-2-14
	Mode of operation	Type 1.AA.B

<b>Safety data</b>	Rated impulse voltage supply / control	0.8 kV
	Pollution degree	3
	Ambient humidity	Max. 95% RH, non-condensing
	Ambient temperature normal operation	-30...50°C
	Ambient temperature safety operation	The safety position will be attained up to max. 75°C
	Storage temperature	-40...50°C [-40...122°F]
	Servicing	maintenance-free
<b>Weight</b>	Weight	2.7 kg

**Safety notes**


- The device must not be used outside the specified field of application, especially not in aircraft or in any other airborne means of transport.
- The actuator is adapted and installed on the fire and smoke damper by the damper manufacturer. For this reason, the actuator is only supplied directly to safety damper manufacturers. The manufacturer then bears full responsibility for the proper functioning of the damper.
- The two switches integrated in the actuator are to be operated either on power supply voltage or at safety extra-low voltage. The combination power supply voltage/safety extra-low voltage is not permitted.
- The device may only be opened at the manufacturer's site. It does not contain any parts that can be replaced or repaired by the user.
- The device contains electrical and electronic components and must not be disposed of as household refuse. All locally valid regulations and requirements must be observed.

**Product features**

**Mode of operation** The actuator is controlled with a standard signal of 0...10 V and moves the damper to the operating position at the same time as tensioning the return spring. The damper is turned back to the safety position by spring energy if the supply voltage is interrupted.

**Thermoelectric tripping device** Complies with the specific requirements of the standard ISO 10294-4.  
 BAT: if the ambient temperature of 72°C is exceeded, then the duct outside temperature fuse will respond. If the duct inside temperature of 72°C is exceeded, then the duct inside temperature fuse will respond. When one of the thermal fuses responds, the supply voltage is interrupted permanently and irreversibly.

The LED is on when

- supply voltage is available
- the thermal fuses are OK and
- the test switch is not pressed.

Note: The function of the thermal fuses and the control key is only warranted if the actuator is connected to the supply voltage (LED on).

**Manual override** The damper can be actuated manually in the deenergised state and fixed in place at any position. Unlocking is manual or automatic by applying the supply voltage. If manual operation is used when supply voltage is present, the actuator first moves to the safety position for checking and then to the position as defined by control signal Y. During this self-check, the motor running time is increased to 100 s and the measuring voltage remains at 2 V.

**Signalling** Two microswitches with fixed settings are installed in the actuator for indicating the damper end positions. The electrical contacts of these microswitches are equipped with a gold/silver coating that permits integration both in circuits with low currents (mA range) and in ones with larger-sized currents (A range) in accordance with the specifications in the data sheet. It should be noted with this application however that the contacts can no longer be used in the milliampere range after larger currents have been applied to them, even if this has taken place only once.

The position of the damper blade can be read off on a mechanical position indication.

**Standards / Regulations** The design of the actuator is based on the specific requirements from the European standards:

- EN 15650 Ventilation for buildings – Fire dampers
- EN 1366-2 Fire resistance tests on service installations  
(Part 2: Fire dampers)
- EN 13501-3 Fire classification of construction products and building elements  
(Part 3: Classification using data from fire resistance tests on products and elements used in building service installations: fire resisting ducts and fire dampers)

**Recommendation for application** The regular operational check (open/close control of the fire damper) enhances the safety of people, animals, property and the environment. Unless other requirements are stipulated – e.g. in the damper manufacturer's operating instructions – Belimo recommends the performance of a monthly operational check. Fire damper actuators from Belimo are designed in accordance with service life specifications contained in the technical data sheet for regular operational checks. Notes for regular operational checks can be found in the European Product Standard for Fire Dampers (EN 15650) under "Maintenance information".

**Delivery notes** Incl. Hand crank, Pointer, Protective bag, Form fit insert 12/10 mm

**Accessories**

Electrical accessories	Description	Type
	Auxiliary switch 2 x SPDT	SN2-C7
	Thermoelectric tripping device with control key, Duct inside temperature 72°C (colour black), Duct outside temperature 72°C	BAT72
	Thermoelectric tripping device with control key, Duct inside temperature 72°C (colour black), Duct outside temperature 72°C	BAT72/9
	Blanking cover for BAT (without thermal fuse for duct inside temperature), Multipack 20 pcs.	ZBAT0
	Spare tripping element for BAT, Duct inside temperature 72°C (colour black)	ZBAT72
	Spare tripping element for BAT, Duct inside temperature 72°C (colour black)	ZBAT72/9
	Spare tripping element for BAT, Duct inside temperature 95°C (colour grey)	ZBAT95
	Spare tripping element for BAT, Duct inside temperature 95°C (colour grey)	ZBAT95/9
	Spare tripping element for BAT, Duct inside temperature 120°C (colour orange)	ZBAT120
	Spare tripping element for BAT, Duct inside temperature 140°C (colour red)	ZBAT140

Mechanical accessories	Description	Type
	Bracket for SN2-C7 for BF	ZSN-BF
	Adapter, for form fit 12 mm on round shaft 18 mm, L = 33 mm	ZA18-BF
	Adapter, for form fit with clamp for round shaft 10...20 mm / square 10...16 mm	ZK-BF
	Pointer 12x12 mm	ZZ12-B
	Hand crank 40 mm	ZK1-B
	Hand crank 70 mm	ZK2-B
	Protective bag with wire, Multipack 100 pcs.	ZSD-B.1

**Electrical installation**

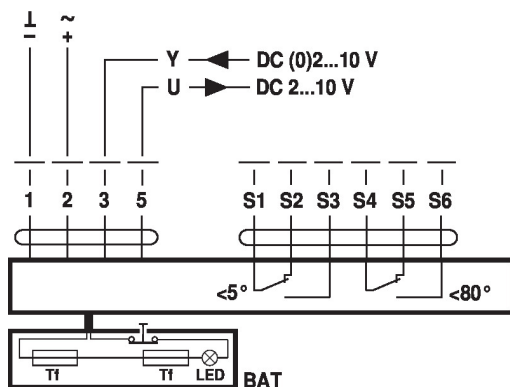

**Supply from isolating transformer.**

**Parallel connection of other actuators possible. Observe the performance data.**

**Combination of power supply voltage and safety extra-low voltage not permitted at the both auxiliary switches.**

**Wiring diagrams**

AC/DC 24 V, modulating



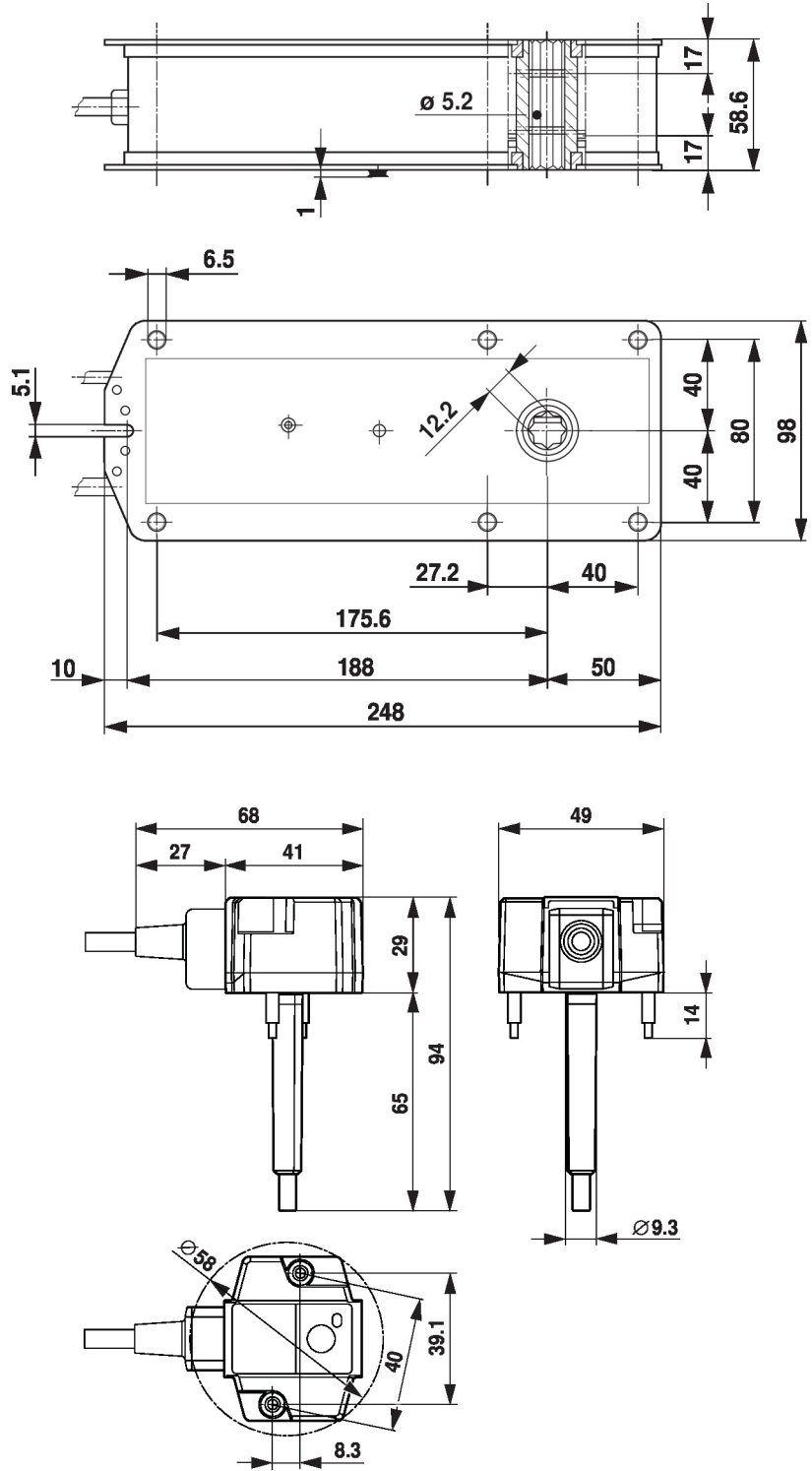
Cable colours:

- 1 = black
- 2 = red
- 3 = white
- 5 = orange

- S1 = violet
- S2 = red
- S3 = white
- S4 = orange
- S5 = pink
- S6 = grey

Tf: Thermal fuse (see Technical data)

Dimensions



# SALES CONTACT



[www.airmax-hvac.com](http://www.airmax-hvac.com)



080-614-4944, 063-268-8080



@airmax (Line Official)



[windcontrol.info@gmail.com](mailto:windcontrol.info@gmail.com)



Address

เลขที่ 56/392 หมู่ที่ 12  
ตำบลศีรษะจรเข้น้อย  
อำเภอบางเสาธง  
จังหวัดสมุทรปราการ  
10540

