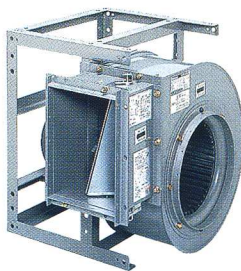


Panasonic

Air Moving Equipment

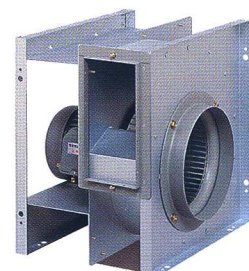
- Mini sirocco fans
- Direct-Driven sirocco fans



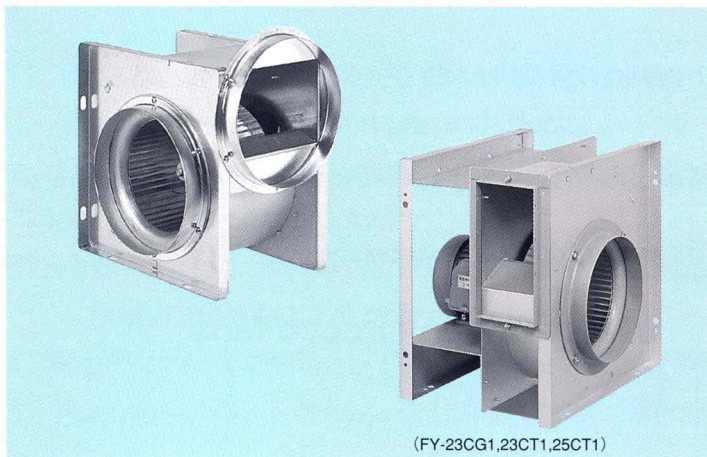
Direct-Driven sirocco fans



Mini sirocco fans



Mini sirocco fans



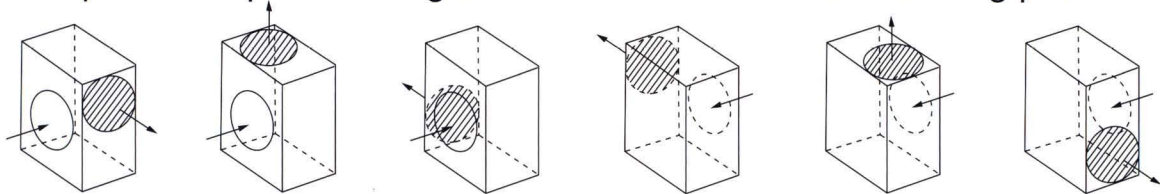
Single Phase

FY-10CG1
FY-12CG1
FY-14CG1
FY-16CG1
FY-17CG1
FY-19CG1
FY-21CG1
FY-23CG1

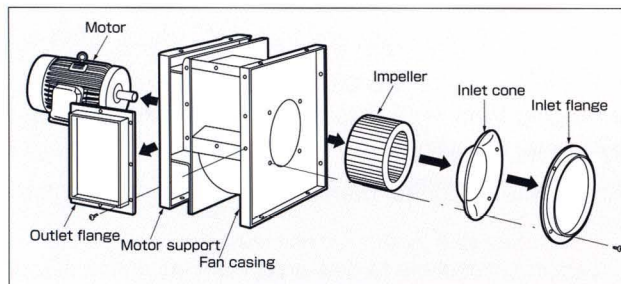
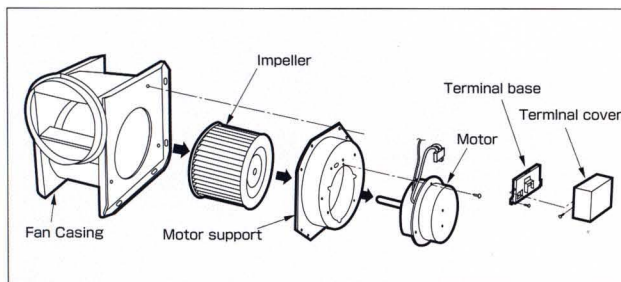
Three Phase

FY-21CT1
FY-23CT1
FY-25CT1

Adoption of square casing satisfies various need of installing pattern



Construction



Main components and materials

Components name	Material	Standard
Fan Casing	SGCC	JIS G 3302
Impeller	SGCC	JIS G 3302
Motor support	SGCC	JIS G 3302
Motor		
Terminal base	SGCC	JIS G 3302
Terminal cover	SGCC	JIS G 3302

Components name	Material	Standard
Fan Casing	SGCC	JIS G 3302
Impeller	SGCC	JIS G 3302
Inlet cone	SPCC	JIS G 3141
Inlet flange	SPCC	JIS G 3141
Motor support	SGHC	JIS G 3302
Motor		
Outlet flange	SPCC	JIS G 3141

Specifications

MODEL No.	INPUT (W)		FAN SPEED (min ⁻¹)		AIR VOLUME (m ³ /h)		NOISE (d B)						IMPELLER DIAMETER (cm)	WEIGHT (kg)	SUCTION DUCT SIZE	DISCHARGE DUCT SIZE		
	50Hz	60Hz	50Hz	60Hz	50Hz	60Hz	Casing side		Suction side		Discharge side							
SINGLE PHASE	FY-10CG1	11	13	980	970	144	143	32	32	38	38	38	38	10	3.1	φ 100	φ 100	
	FY-12CG1	21	22	760	725	258	242	34	32	39	38	39	38	12	3.6	φ 150	φ 150	
	FY-14CG1	30	40	930	870	308	284	39	36	44.5	41.5	44.5	41.5	12	3.8	φ 150	φ 150	
	FY-16CG1	Hi	49	59	1080	1060	495	470	43.5	42.5	50	49	50	49	15	5.3	φ 150	φ 150
		Lo	41	40	875	805	365	335	38	36	44.5	42.5	44.5	42.5				
	FY-17CG1	Hi	87	95	920	850	763	722	46	44.5	51	49	51	49	18	8.8	φ 200	φ 200
		Lo	74	79	815	730	640	593	42.5	40	47	45	47	45				
	FY-19CG1	Hi	117	143	1110	1100	947	931	50.5	50	55.5	55	55.5	55	18	9.4	φ 200	φ 200
		Lo	109	127	1030	985	821	791	49	48	54	53	54	53				
	FY-21CG1	Hi	240	340	1325	1430	1420	1430	57	59	61	63	61	63	20	15	φ 200	φ 200
		Lo	220	300	1249	1180	1260	1180	56	54	59.5	58.5	59.5	58.5				
	FY-23CG1		450	755	1440	1650	1654	1984	59	63	67	70.5	68.5	72.5	23	25	φ 250	□130×260
THREE PHASE	FY-21CT1	Hi	253	370	1355	1485	1450	1590	57.5	59.5	61.5	63.5	61.5	63.5	20	14.5	φ 200	φ 200
		Lo	177	228	1070	1030	1090	1020	51.5	50	55.5	54	55.5	54				
FY-23CT1		440	700	1425	1650	1562	1892	58.5	61.5	65.5	69	67.5	71	23	27	φ 250	□130×260	
FY-25CT1		840	1200	1430	1685	2413	2694	64	66	72.5	74.5	77	79	25	29.5	φ 250	□130×260	

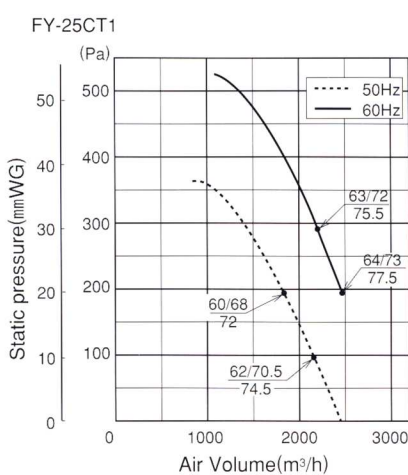
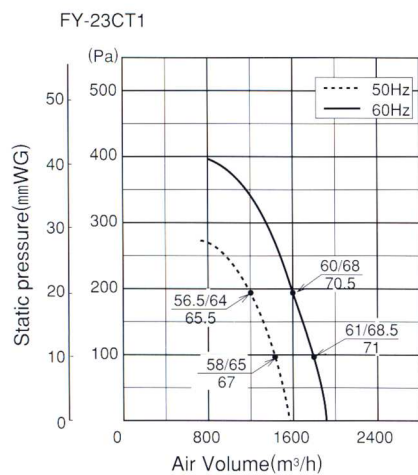
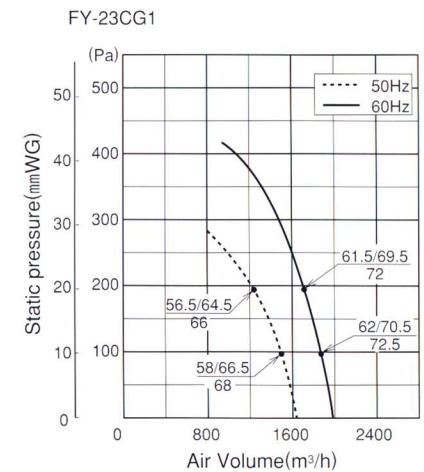
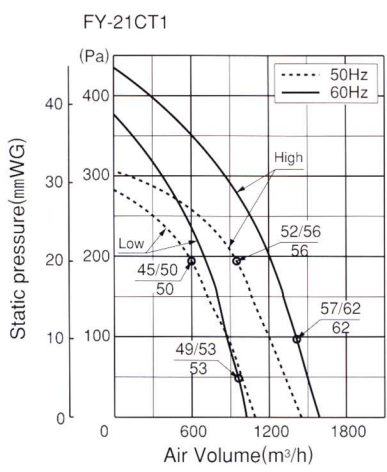
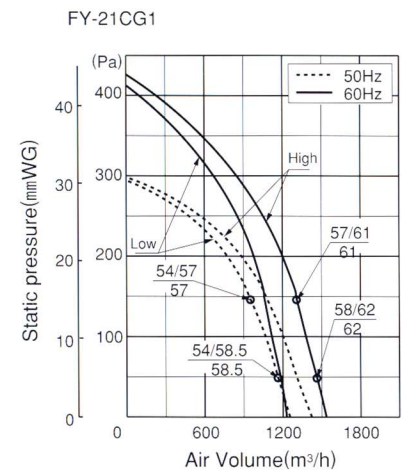
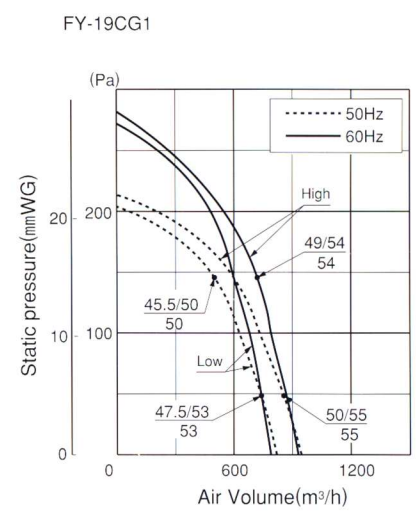
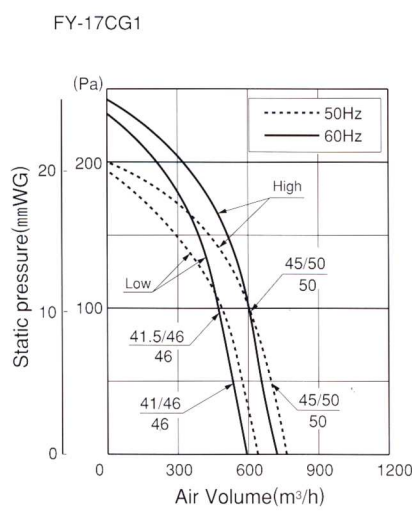
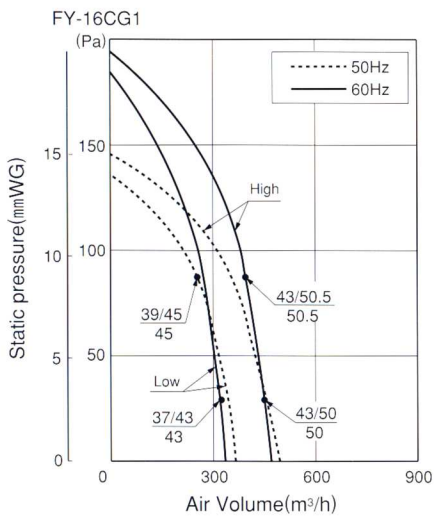
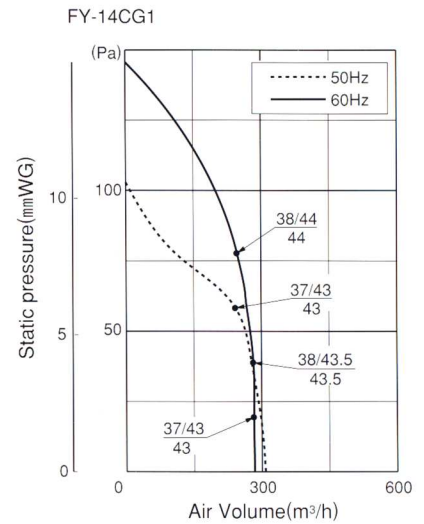
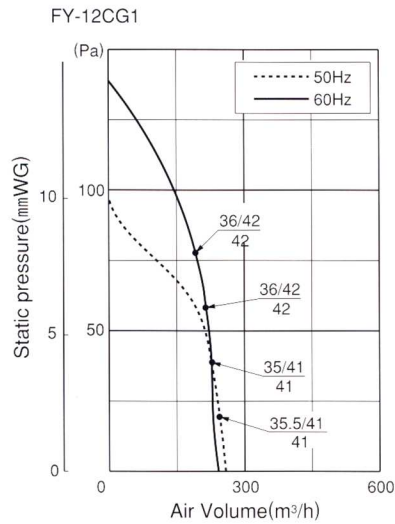
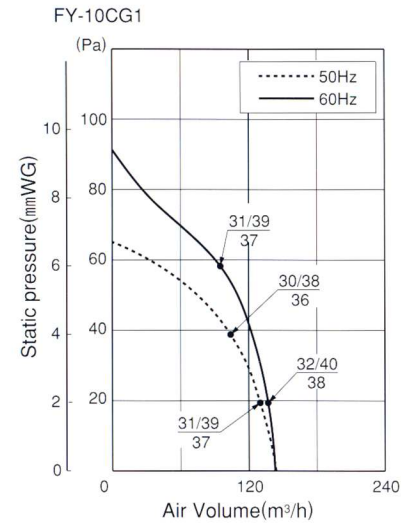
Notes :

- Power consumption is expressed as open value.
- Air volume is measured using the Chamber method (JIS C 9603) at 0 (mmWG) static pressure. Here, 25CT1 (60Hz) shows the value at the static pressure of 20mmWG.
- Noise :
Suction side...Noise at 1.5m at suction side.
Casing side...Noise at 1.5m on the side of a machine body.
Discharge side...Noise at 1.5m orthogonally at discharge side.

Cautions :

- Don't use it for ventilation at a site generating heat, oily smoke, steam and/or moisture. (Environmental condition : -10°C ~ +40°C, relative humidity below 85%)
- Install a door 600×600mm or more for maintenance purpose.
- Install a leak breaker or a motor breaker on the source site. A control panel such as a contact switch relay is required for three phase power source.
- In cold air supply to indoor during winter and at any other occasion susceptible to dew drop, heat insulation is required.
- It is recommended to use a commercially available filter at the suction side to avoid dust and/or oil waste attachment on a blade.
- Install it on a horizontal direction.
- Do not perform parallel operation of more than one unit on a switch, for it may result in motor failure.

Mini sirocco fans

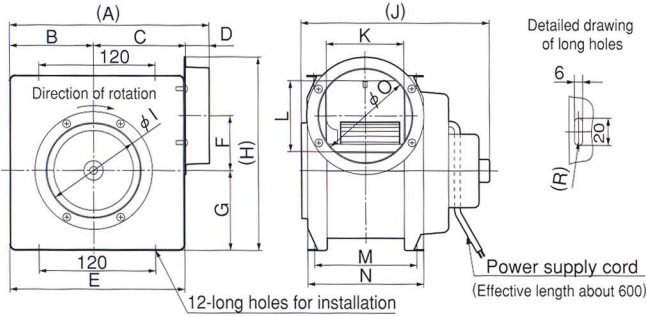


● A figure on the curve indicates a noise level (dB).
It is calculated as $\frac{\text{Casing side/Suction side}}{\text{Discharge side}}$

Mini sirocco fans

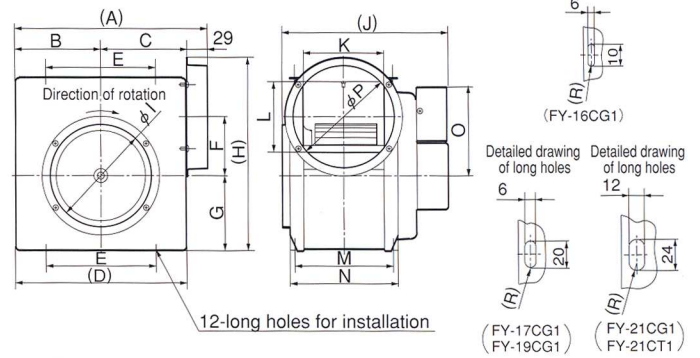
Dimensions

FY-10CG1 • 12CG1 • 14CG1



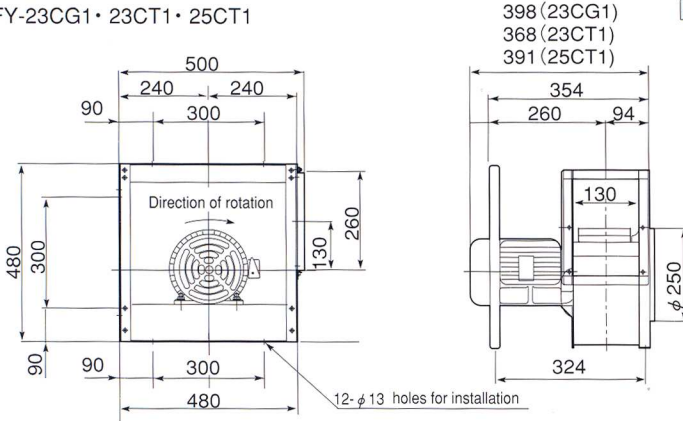
MODEL No.	A	B	C	D	E	F	G	H	I	J	K	L	M	N	O
FY-10CG1	206	86	95	24	180	56	82	199	98	199	80	74	106	120	98
FY-12CG1	261	112	119	29	230	76	100	261	148	230	105	98	131	145	148
FY-14CG1	261	112	119	29	230	76	100	261	148	230	105	98	131	145	148

FY-16CG1 • 17CG1 • 19CG1 • 21CG1 • 21CT1



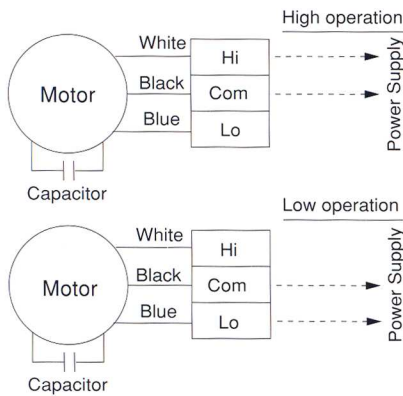
MODEL No.	A	B	C	D	E	F	G	H	I	J	K	L	M	N	O	P
FY-16CG1	281	125	126	250	160	85	108	279	148	237	117	102	143	157	128	148
FY-17CG1	331	151	150	300	160	106	130	346	198	310	165	116	187	205	142	198
FY-19CG1	331	151	150	300	160	106	130	346	198	310	165	116	187	205	142	198
FY-21CG1	361	166	165	330	200	121	145	378	198	360	190	110	226	250	161	198
FY-21CT1	361	166	165	330	200	121	145	378	198	360	190	110	226	250	161	198

FY-23CG1 • 23CT1 • 25CT1

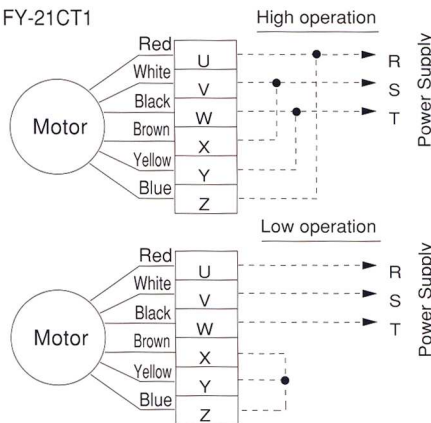


Wiring Diagram

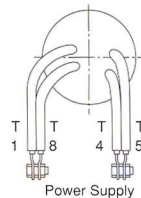
FY-16CG1, FY-17CG1, FY-19CG1, FY-21CG1



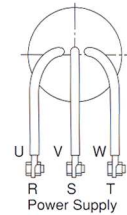
FY-21CT1



FY-23CG1



FY-23CT1
FY-25CT1



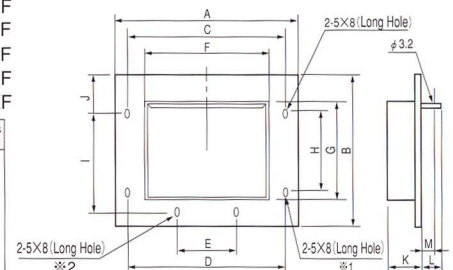
Accessories

Square flange for Mini sirocco fans

Standard type is provided with round flange.
Change to square flange to connect to square duct.

- ※1. Applicable Model : FY-10CG1-KF
FY-12CG1-KF
FY-16CG1-KF
FY-17CG1-KF
※2. Applicable Model : FY-21CG1-KF

Model No.	Applicable Model	A	B	C	D	E	F	G	H	I	J	K	L	M	Thickness of Board
FY-10CG1-KF	FY-10CG1	120	94	96.2	96.2	—	81.5	75.5	55.5	—	19.1	25	15	11	0.8
FY-12CG1-KF	FY-12CG1, FY-14CG1	145	128	131.8	131.8	—	106.5	100	92.3	—	19.1	25	15	11	
FY-16CG1-KF	FY-16CG1	157	142	131.8	131.8	—	118.5	104	92.3	—	22.0	25	15	11	
FY-17CG1-KF	FY-17CG1, FY-19CG1	205	156	182.8	182.8	—	166.5	118	105.5	—	25.8	30	25	16	
FY-21CG1-KF	FY-21CG1, FY-21CT1	250	170	211	—	105.5	191.5	112	—	91.4	67.5	30	25	16	



SALES CONTACT



www.airmax-hvac.com



080-614-4944, 063-268-8080



@airmax (Line Official)



windcontrol.info@gmail.com



Address

เลขที่ 56/392 หมู่ที่ 12
ตำบลศรีชะอรเข้้น้อย
อำเภอบางเสาธง
จังหวัดสมุทรปราการ
10540